

PTS Top Modules for Omron AMR's

Product Catalog 2022



Spacer Module LD-60/90-SM

The spacer module raises the mounting level of the mobile robot top modules and allows the control panel, antennas and side lasers to be attached to vertical structures, leaving the mounting surface free for attaching other equipment. There is ample installation space inside the module for other components, which are also easily accessible through removable side panels. Compatible with other top modules.

Standard top plate heights: Spacer module SM5 500 mm, SM7 700 mm, SM9 900 mm



LD-60/90-SM

Module length 660 mm

Module width 475 mm

Height of top plate 500/700/900 mm

Removable side and top covers

Fittings for LD Operator panel

Fittings for LD Antennas

Max payload up to 85 kg

Options:

Blue LED Spotlight on the front lighting the floor in front of the robot

LED warning light on top

Side laser fittings

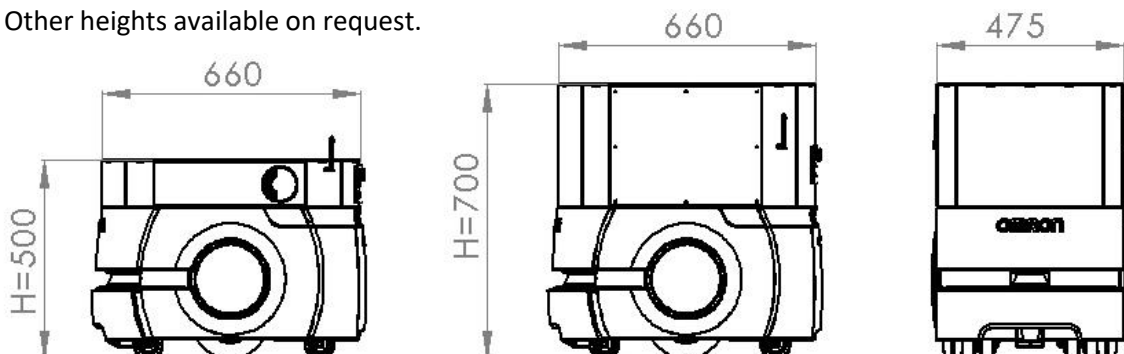
Side lasers with covers

Breakout cable for LD user I/O

Dimensions of standard models

Model	Height of top plate H
LD-60/90-SM5	500
LD-60/90-SM7	700
LD-60/90-SM9	900

Other heights available on request.



Light Roller Conveyor Top Module LD-60/90-RC-LT

Lightweight, standard-length roller conveyor on top of the LD-60/90 mobile robot. The conveyor rollers have two mounting heights (500 mm / 513 mm). There are secondary mounting points for the rollers that raises the surface of the rollers above the brackets, allowing products wider than lane width to be transported. Due to its versatility, it is particularly suitable for educational use.



LD-60/90-RC-LT

Module length (L) 620 mm

Conveying height 500 mm (can be raised by using Spacer Modules)

Lane width (LW) 340 mm

Lane length (LL) 580 mm

24VDC Roller drive (D=54 mm incl. PVC coating)

Roller drive controller with adjustable roller speed

Round belt driven, PVC-coated rollers

Roller pitch 75 mm

Optical sensor in the front end of the conveyor

Max payload up to 30 kg

Control option: LD user IO

Options:

Back sensor

Side guides

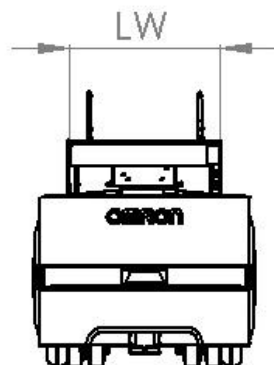
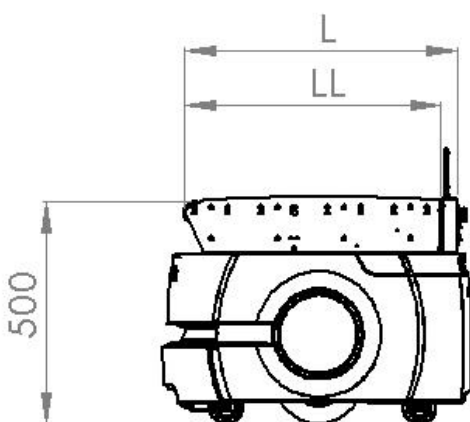
Control options: PLC / remote IO

Electric height-adjusting module

Blue LED Spotlight on the front lighting the floor in front of the robot

Dimensions of standard models

Model	Lane width LW (+/-10 mm)	Module length L
LD-60/90-RC-LT-1	340	620



Roller Conveyor Top Module LD-60/90-RC-LW

Multipurpose and customizable lengthwise roller conveyor for the LD-60/90 mobile robots. All models have silent and high friction coated rollers as standard, as well as optical sensor at the front of the conveyor to identify the transported products. The height of the conveyor level from the floor level can be selected when ordering from 450 mm to 1000 mm. A wide range of accessories available, for example additional sensors, electric stoppers and electric height adjustment.



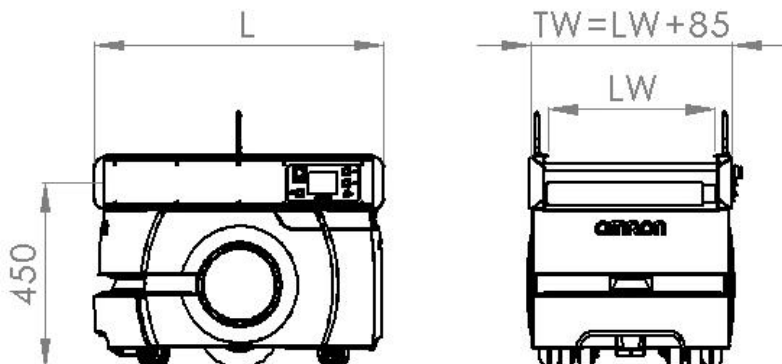
LD-60/90-RC-LW

- Module length (L) 650-750 mm (other lengths on request)
- Module width (TW) 85 mm + LW (+side lasers)
- Conveying height 450 mm (can be raised up to 1000 mm with Spacer Modules)
- 24VDC Roller drive (D=54 mm incl. PVC coating)
- Roller drive controller with adjustable roller speed
- Poly-V belt driven, PVC-coated rollers
- Roller pitch according to the transported products
- Optical sensor in the front end of the conveyor
- Back stop on the back end of the conveyor
- Adjustable side guides
- Max payload up to 70 kg
- Control option: LD user IO
- LED warning light on top
- Options:
- Back sensor
- Electric front stop
- Conveyor divided into two zones (separate motors)
- Electric height-adjusting module
- Control options: PLC / remote IO
- Blue LED Spotlight on the front lighting the floor in front of the robot

Dimensions of standard models

Model	Lane width LW (+/-10 mm)	Module length L
LD-60/90-RC-LW-1	310	650
LD-60/90-RC-LW-2	410	650
LD-60/90-RC-LW-3	510	650
LD-60/90-RC-LW-4	310	750
LD-60/90-RC-LW-5	410	750
LD-60/90-RC-LW-6	510	750

Other widths and lengths available on request.



Roller Conveyor Top Module LD-60/90-RC-CW

Multi purpose and customizable crosswise roller conveyor on top of the LD-60/90 mobile robot. All models have silent and high friction coated rollers and optical sensors at both ends of the conveyor to identify the transported products. The height of the conveyor level from the floor level can be selected when ordering from 450 mm to 1000 mm. A wide range of accessories available, for example additional sensors, electric stoppers and electric height adjustment.



LD-60/90-RC-CW

Module length (L) 500-630 mm (+ side lasers) (other lengths on request)

Module width (TW) 85 mm + LW

Conveying height 450 mm (can be raised up to 1000 mm with Spacer Modules)

24VDC Roller drive (D=54 mm incl. PVC coating)

Roller drive controller with adjustable roller speed

Poly-V belt driven, PVC-coated rollers

Roller pitch according to the transported products

Optical sensors in both ends of the conveyor

Adjustable side guides

Max payload up to 70 kg

Control option: LD user IO

LED warning light on front top

Options:

Front/back stop

Electric front/back stop

Conveyor divided into two zones (separate motors)

Electric height-adjusting module

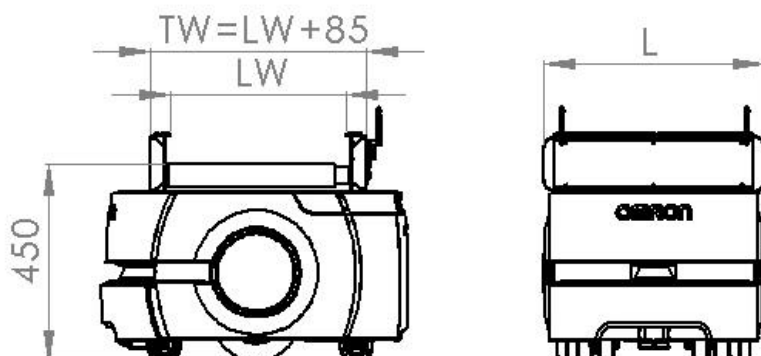
Control options: PLC / remote IO

Blue LED Spotlight on the front lighting the floor in front of the robot

Dimensions of standard models

Model	Lane width LW (+/-10 mm)	Module length L
LD-60/90-RC-CW-1	410	500
LD-60/90-RC-CW-2	510	500
LD-60/90-RC-CW-3	610	500
LD-60/90-RC-CW-4	410	630
LD-60/90-RC-CW-5	510	630
LD-60/90-RC-CW-6	610	630

Other widths and lengths available on request.



Double Roller Conveyor Top Module LD-60/90-RC-2CW

Multi purpose double roller conveyor for the LD-60/90 mobile robots. All models have silent and high friction coated rollers and optical sensors at both ends of the conveyor to identify the transported products. Thanks to two separate conveyors, it is possible to unload and receive a load simultaneously at one stop. Easy to use with a compatible PDS-2 station. The illustrated assembly consists of LD-90 mobile robot, double roller conveyor module, Spacer Module M and side lasers.



LD-60/90-RC-2CW

Module length (L) 500-630 mm (+ side lasers) (other lengths on request)

Module width (TW) 100 mm + 2 x LW

Conveying height 450 mm (can be raised up to 1000 mm with Spacer Modules)

24VDC Roller drive (D=54 mm incl. PVC coating)

Roller drive controller with adjustable roller speed

Poly-V belt driven, PVC-coated rollers

Roller pitch according to the transported products

Optical sensors in both ends of the conveyors

Adjustable side guides

Max payload up to 30 kg

Control option: LD user IO

LED warning light on front top

Options:

Front/back stop

Conveyor divided into two zones (separate motors)

Electric height-adjusting module

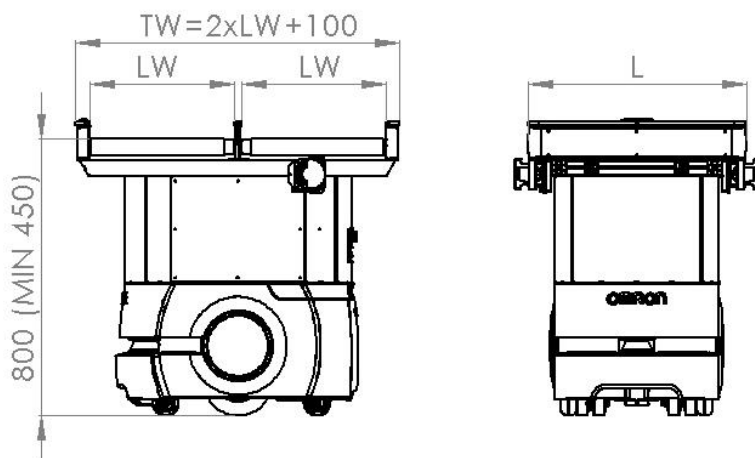
Control options: PLC / remote IO

Blue LED Spotlight on the front lighting the floor in front of the robot

Dimensions of standard models

Model	Lane width LW (+/-10 mm)	Module length L
LD-60/90-RC-2CW-1	310	500
LD-60/90-RC-2CW-2	360	500
LD-60/90-RC-2CW-3	410	500
LD-60/90-RC-2CW-4	310	630
LD-60/90-RC-2CW-5	360	630
LD-60/90-RC-2CW-6	410	630

Other widths and lengths available on request.



Belt Conveyor Top Module

LD-60/90-BC-LW

Multipurpose and customizable lengthwise belt conveyor for the LD-60/90 mobile robots. All models have silent and high friction belt as standard, as well as optical sensor at the front of the conveyor to identify the transported products. The height of the conveyor level from the floor level can be selected when ordering from 450 mm to 1000 mm. A wide range of accessories available, for example additional sensors, electric stoppers and electric height adjustment.



LD-60/90-BC-LW

Module length (L) 650-750 mm (other lengths on request)

Module width (TW) 100 mm + LW (+side lasers)

Conveying height 500 mm (can be raised up to 1000 mm with Spacer Modules)

24VDC Belt drive

Belt drive controller with adjustable speed

PVC-coated polyester belt (other belt types also available)

Optical sensor in the front end of the conveyor

Back stop on the back end of the conveyor

Adjustable side guides

Max payload up to 40 kg

Control option: LD user IO

LED warning light on top

Options:

Back sensor

Electric front stop

Electric height-adjusting module

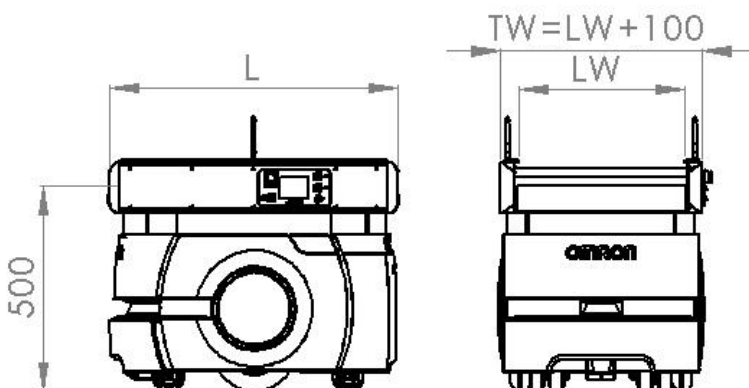
Control options: PLC / remote IO

Blue LED Spotlight on the front lighting the floor in front of the robot

Dimensions of standard models

Model	Lane width LW (+/-10 mm)	Module length L
LD-60/90-BC-LW-1	310	650
LD-60/90-BC-LW-2	410	650
LD-60/90-BC-LW-3	310	750
LD-60/90-BC-LW-4	410	750
LD-60/90-BC-LW-5	510	750

Other widths and lengths available on request.



Belt Conveyor Top Module

LD-60/90-BC-CW

Multipurpose and customizable crosswise belt conveyor for the LD-60/90 mobile robots. All models have silent and high friction belt as standard, as well as optical sensors at both ends of the conveyor to identify the transported products. The height of the conveyor level from the floor level can be selected when ordering from 450 mm to 1000 mm. A wide range of accessories available, for example additional sensors, electric stoppers and electric height adjustment.



LD-60/90-BC-CW

Module length (L) 500-630 mm (+ side lasers) (other lengths on request)

Module width (TW) 100 mm + LW

Conveying height 500 mm (can be raised up to 1000 mm with Spacer Modules)

24VDC Belt drive

Belt drive controller with adjustable speed

PVC-coated polyester belt (other belt types also available)

Optical sensors in both ends of the conveyor

Adjustable side guides

Max payload up to 40 kg

Control option: LD user IO

LED warning light on front top

Options:

Front/back stop

Electric front/back stop

Electric height-adjusting module

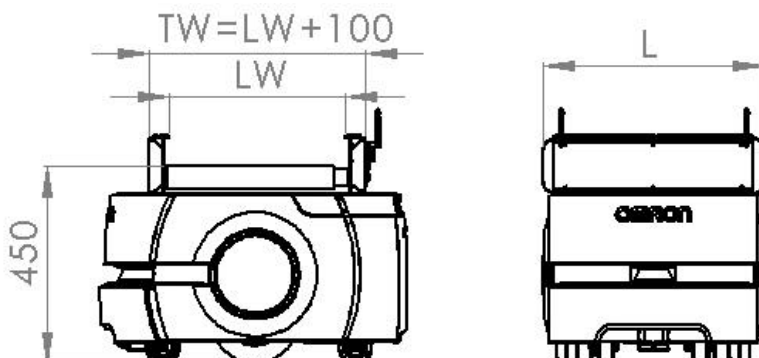
Control options: PLC / remote IO

Blue LED Spotlight on the front lighting the floor in front of the robot

Dimensions of standard models

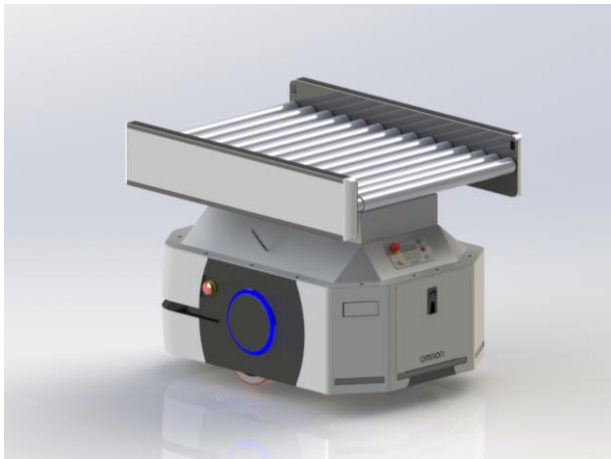
Model	Lane width LW (+/-10 mm)	Module length L
LD-60/90-BC-CW-1	310	500
LD-60/90-BC-CW-2	310	630
LD-60/90-BC-CW-3	410	630

Other widths and lengths available on request.



Roller Conveyor Top Module LD-250-RC-LW

Sturdy and customizable lengthwise roller conveyor for the LD-250 mobile robots. All models have silent and high friction coated rollers as standard, as well as optical sensor at the front of the conveyor to identify the transported products. The height of the conveyor level from the floor can be selected when ordering from 500 mm to 1100 mm. A wide range of accessories available, for example additional sensors, electric stoppers and electric height adjustment.



Dimensions of standard models

Model	Lane width LW (+/-10 mm)	Module length L
LD-250-RC-LW-1	310	1000
LD-250-RC-LW-2	410	1000
LD-250-RC-LW-3	510	1000
LD-250-RC-LW-4	610	1000
LD-250-RC-LW-5	710	1000
LD-250-RC-LW-6	410	1200
LD-250-RC-LW-7	510	1200
LD-250-RC-LW-8	610	1200
LD-250-RC-LW-9	710	1200
LD-250-RC-LW-10	810	1250

Other widths and lengths available on request.

LD-250-RC-LW

Module length (L) 1000-1250 mm (other lengths on request)

Module width (TW) 100 mm + LW (+ side lasers)

Conveying height selectable between 500 - 1100 mm

24VDC Roller drive (D=54 mm incl. PVC coating)

Roller drive controller with adjustable roller speed

Poly-V belt driven, PVC-coated rollers

Roller pitch according to the transported products

Optical sensor in the front end of the conveyor

Back stop on the back end of the conveyor

Adjustable side guides

Max payload up to 200 kg

Control option: LD user IO

LED warning light on top

Options:

Back sensor

Electric front stop

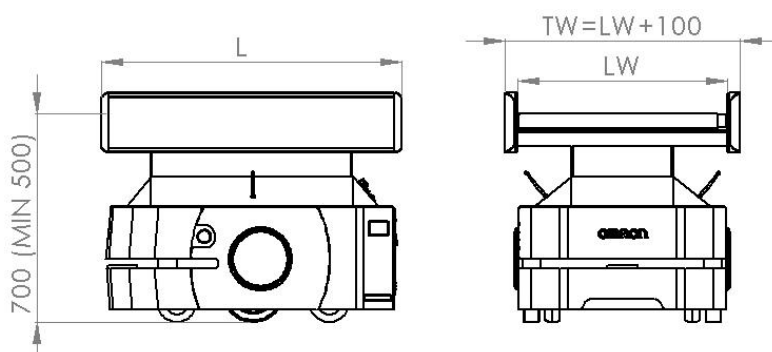
Conveyor divided into two or more zones (separate motors)

Electric side guides for automatic lane width adjustment

Electric height-adjusting module

Control options: PLC / remote IO

Blue LED Spotlight on the front lighting the floor in front of the robot



Roller Conveyor Top Module

LD-250-RC-CW

Sturdy and customizable crosswise roller conveyor for the LD-250 mobile robots. All models have silent and high friction coated rollers as standard, as well as optical sensors at both ends of the conveyor to identify the transported products. The height of the conveyor level from the floor can be selected when ordering from 500 mm to 1100 mm. A wide range of accessories available, for example additional sensors, electric stoppers and electric height adjustment.



LD-250-RC-CW

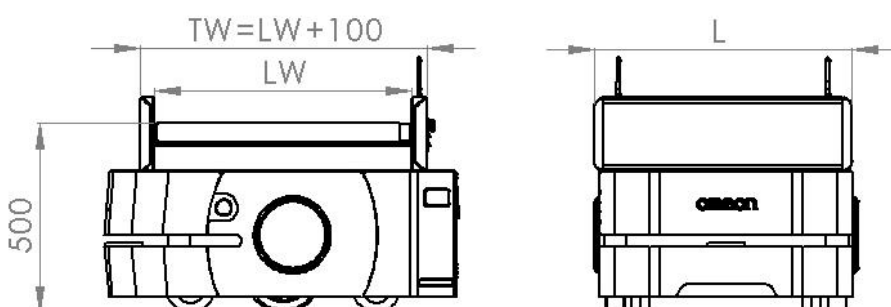
- Module length (L) 700-850 mm (+ side lasers) (other lengths on request)
- Module width (TW) 100 mm + LW
- Conveying height selectable between 500 - 1100 mm
- 24VDC Roller drive (D=54 mm incl. PVC coating)
- Roller drive controller with adjustable roller speed
- Poly-V belt driven, PVC-coated rollers
- Roller pitch according to the transported products
- Optical sensors in both ends of the conveyor
- Adjustable side guides
- Max payload up to 200 kg
- Control option: LD user IO
- LED warning light on front top

- Options:
- Front/back stop, electric front/back stop
 - Conveyor divided into two or more control zones
 - Electric side guides for automatic lane width adjustment
 - Electric height-adjusting module
 - Multi-conveyor version (two or more conveyors side-by-side)
 - Control options: PLC / remote IO
 - Blue LED Spotlight on the front lighting the floor in front of the robot

Dimensions of standard models

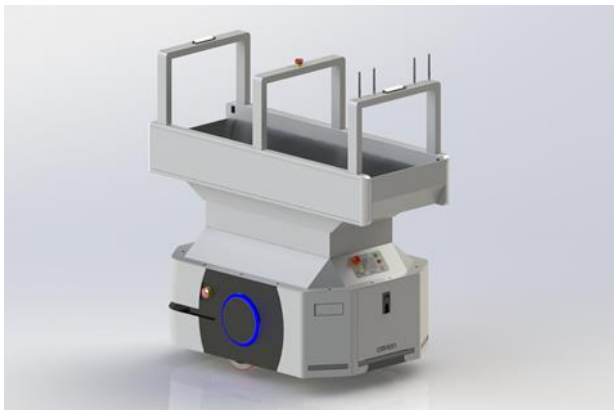
Model	Lane width LW (+/-10 mm)	Module length L
LD-250-RC-CW-1	410	700
LD-250-RC-CW-2	610	700
LD-250-RC-CW-3	810	700
LD-250-RC-CW-4	1010	700
LD-250-RC-CW-5	610	850
LD-250-RC-CW-6	810	850
LD-250-RC-CW-7	1010	850
LD-250-RC-CW-8	1210	850

Other widths and lengths available on request.



Belt Conveyor Top Module LD-250-BC-LW

Sturdy and customizable lengthwise belt conveyor for the LD-250 mobile robots. All models have silent and high friction belt as standard, as well as optical sensor at the front of the conveyor to identify the transported products. The height of the conveyor level from the floor can be selected when ordering from 500 mm to 1100 mm. A wide range of accessories available, for example additional sensors, electric stoppers and electric height adjustment.



Custom version illustrated above

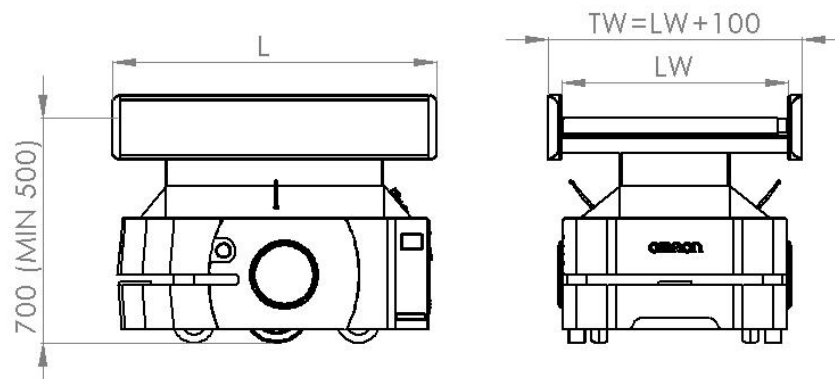
Dimensions of standard models

Model	Lane width LW (+/-10 mm)	Module length L
LD-250-BC-LW-1	310	1000
LD-250-BC-LW-2	410	1000
LD-250-BC-LW-3	510	1000
LD-250-BC-LW-4	610	1000
LD-250-BC-LW-5	710	1000
LD-250-BC-LW-6	410	1200
LD-250-BC-LW-7	510	1200
LD-250-BC-LW-8	610	1200
LD-250-BC-LW-9	710	1200
LD-250-BC-LW-10	810	1250

Other widths and lengths available on request.

LD-250-BC-LW

- Module length (L) 1000-1250 mm (other lengths on request)
- Module width (TW) 100 mm + LW (+side lasers)
- Conveying height selectable between 500 - 1100 mm
- 24VDC Belt drive
- Belt drive controller with adjustable speed
- PVC-coated polyester belt (other belt types also available)
- Optical sensor in the front end of the conveyor
- Back stop on the back end of the conveyor
- Adjustable side guides
- Max payload up to 100 kg
- Control option: LD user IO
- LED warning light on top
- Options:
- Back sensor
- Electric front stop
- Electric side guides for automatic lane width adjustment
- Electric height-adjusting module
- Control options: PLC / remote IO
- Blue LED Spotlight on the front lighting the floor in front of the robot



Belt Conveyor Top Module

LD-250-BC-CW

Sturdy and customizable crosswise belt conveyor for the LD-250 mobile robots. All models have silent and high friction belt as standard, as well as optical sensors at both ends of the conveyor to identify the transported products. The height of the conveyor level from the floor can be selected when ordering from 500 mm to 1100 mm. A wide range of accessories available, for example additional sensors, electric stoppers and electric height adjustment.



LD-250-BC-CW

Module length (L) 700-850 mm (+ side lasers) (other lengths on request)

Module width (TW) 100 mm + LW

Conveying height selectable between 500 - 1100 mm

24VDC Belt drive

Belt drive controller with adjustable speed

PVC-coated polyester belt (other belt types also available)

Optical sensors in both ends of the conveyor

Adjustable side guides

Max payload up to 100 kg

Control option: LD user IO

LED warning light on front top

Options:

Front/back stop

Electric front/back stop

Electric side guides for automatic lane width adjustment

Electric height-adjusting module

Multi-conveyor version (two or more conveyors side-by-side)

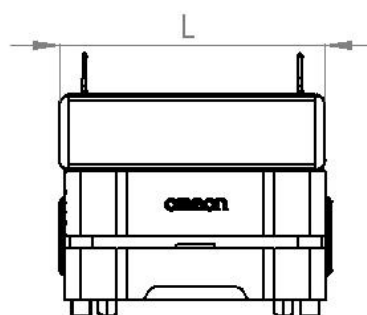
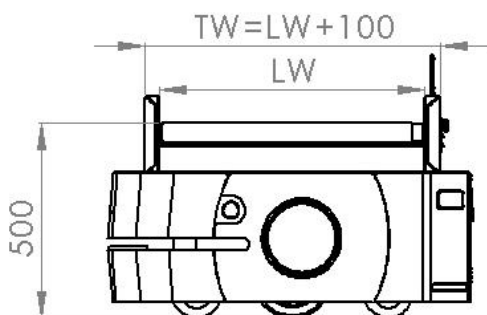
Control options: PLC / remote IO

Blue LED Spotlight on the front lighting the floor in front of the robot

Dimensions of standard models

Model	Lane width LW (+/-10 mm)	Module length L
LD-250-RC-CW-1	310	700
LD-250-RC-CW-2	410	700
LD-250-RC-CW-3	310	850
LD-250-RC-CW-4	410	850
LD-250-RC-CW-5	510	850

Other widths and lengths available on request.



Pick-up and Drop-off station PDS-1

Pick-up and Drop-off station matching to our Conveyor Top Modules. Will be built according to your needs. Height, length, width, number of conveyor zones and roller pitch can be selected when ordering. Transported products can also be automatically aligned with the conveyor as an option, which positions and aligns the products against the side guide. A very useful feature for example when the products will be picked up by robot/cobot arm.



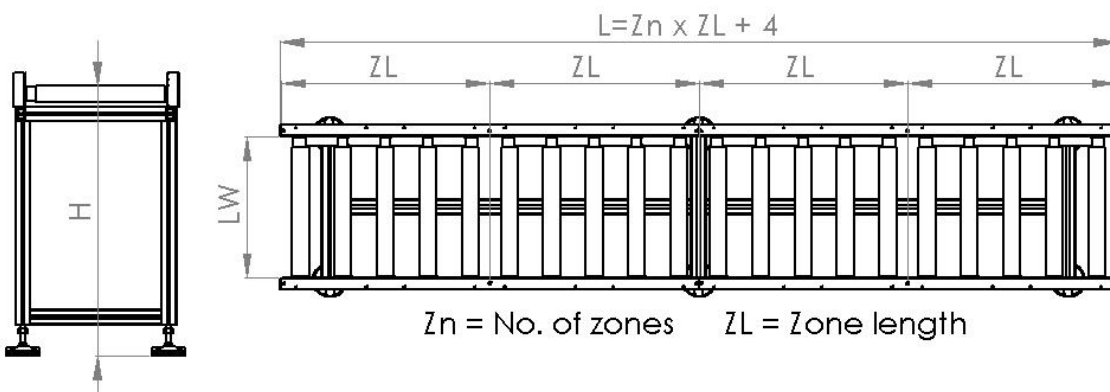
PDS-1

- 24VDC Roller drive (D=54 mm incl. PVC coating)
- Roller drive controller with adjustable roller speed
- Poly-V belt driven, PVC-coated rollers
- Optical sensors in both ends of the conveyor and in between the conveyor zones
- Adjustable side guides on the robot end
- Max payload up to 200 kg / zone
- Options:
- CAPS Target
- Fixed or electric front/back stop
- Incline, decline, alignment versions available
- Control options: IO, remote IO, PLC, HMI

Dimensions of standard models

Model	Lane width LW (+/-10 mm)	Zone length ZL	No. of zones Zn	Height H (+/-30 mm)
PDS-1-1-XXXX-N-HHHH	310	XXXX	N	HHHH
PDS-1-2-XXXX-N-HHHH	410	XXXX	N	HHHH
PDS-1-3-XXXX-N-HHHH	510	XXXX	N	HHHH
PDS-1-4-XXXX-N-HHHH	610	XXXX	N	HHHH
PDS-1-5-XXXX-N-HHHH	710	XXXX	N	HHHH
PDS-1-6-XXXX-N-HHHH	810	XXXX equal</td <td>N</td> <td>HHHH</td>	N	HHHH
PDS-1-7-XXXX-N-HHHH	1010	XXXX	N	HHHH
PDS-1-8-XXXX-N-HHHH	1210	XXXX	N	HHHH

Other widths and lengths available on request.



Pick-up and Drop-off station PDS-2

Pick-up and Drop-off station matching to our Conveyor Top Modules. Will be built according to your needs. Height, length, width, number of conveyor zones and roller pitch can be selected when ordering. Transported products can also be automatically aligned with the conveyor as an option, which positions and aligns the products against the side guide. A very useful feature for example when the products will be picked up by robot/cobot arm.



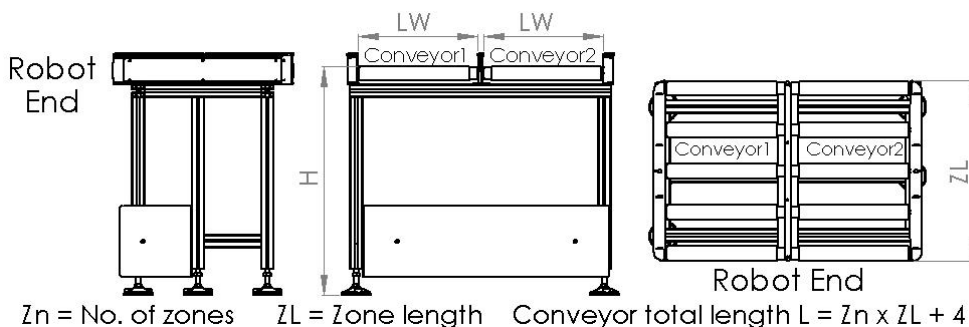
PDS-2

- 24VDC Roller drive (D=54 mm incl. PVC coating)
- Roller drive controller with adjustable roller speed
- Poly-V belt driven, PVC-coated rollers
- Optical sensors in both ends of the conveyor and in between the conveyor zones
- Adjustable side guides on the robot end
- Max payload up to 200 kg / zone
- Options:
- CAPS Target
- Fixed or electric front/back stop
- Incline, decline, alignment versions available
- Control options: IO, remote IO, PLC, HMI

Dimensions of standard models

Model	Lane width LW (+/-10 mm)	Zone length ZL	No. of zones Conveyor1	No. of zones Conveyor2	Height H (+/- 30 mm)
PDS-2-1-XXXX-N-M-HHHH	310	XXXX	N	M	HHHH
PDS-2-2-XXXX-N-M-HHHH	410	XXXX	N	M	HHHH
PDS-2-3-XXXX-N-M-HHHH	510	XXXX	N	M	HHHH
PDS-2-4-XXXX-N-M-HHHH	610	XXXX	N	M	HHHH
PDS-2-5-XXXX-N-M-HHHH	710	XXXX	N	M	HHHH
PDS-2-6-XXXX-N-M-HHHH	810	XXXX	N <td M	HHHH	
PDS-2-7-XXXX-N-M-HHHH	1010	XXXX	N	M	HHHH
PDS-2-8-XXXX-N-M-HHHH	1210	XXXX	N	M	HHHH

Other widths and lengths available on request.





Contact Us:

Precision Tools Service, Inc.

Corporate Headquarters

2426 Norcross Dr,
Columbus, IN 47201

Tel: (812) 342 1234

Fax: (812) 342 1235

sales@ptservice.com